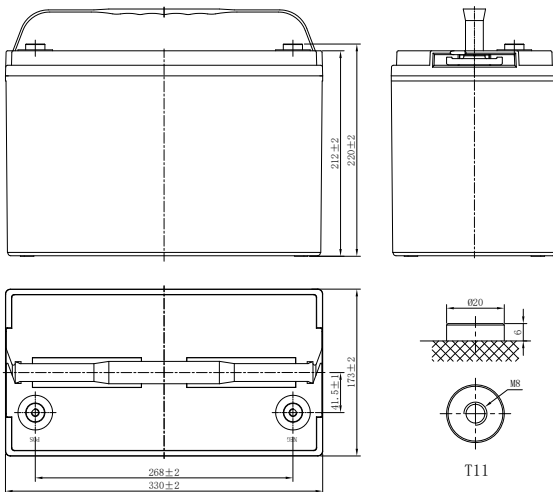


TC SERIES

TC12-120 (12V120Ah)



CHARACTERISTICS

Item	Specifications	
Rated Voltage	12V	
Nominal Capacity (25°C)	C ₂₀ , 1.80V/cell	120Ah
Dimension	Length	330mm (13.0inches)
	Width	173mm (6.81inches)
	Container Height	212mm (8.35inches)
	Total Height	220mm (8.66inches)
Approx Weight	34.2kg (75.4lbs)	
Terminal	T11(M8)	
Container Material	ABS	
Short-circuit current	2160A	
Internal Resistance (25°C)	Approx 4.2 mΩ (Fully charged)	
Operating Temp. Range	Discharge	-20~55°C (-4~131°F)
	Charge	0~40°C (32~104°F)
	Storage	-20~50°C (-4~122°F)
Nominal Operating Temp. Range	25±3°C (77±5°F)	
Max.Charging Current (25°C)	0.25C	
Charge voltage (25°C)	Standby Use	Cycle Use
	2.25-2.30V/cell	2.40-2.47V/cell
Temp. Coefficient	-3mV/cell/°C	-5mV/cell/°C
	40°C (104°F)	103%
Effect of temp. to Capacity	25°C (77°F)	100%
	0°C (32°F)	86%
Self Discharge	TC series batteries may be stored up to 6 months at 25°C (77°F) and then a freshening charge is required. For higher temperatures the time interval will be shorter.	

DISCHARGE TABLE

Constant Current Discharge (Amperes) at 25°C (77°F)									
F. V/Time	1h	2h	3h	4h	5h	6h	8h	10h	20h
1.85V/cell	54.0	33.6	25.4	20.5	18.0	15.6	12.5	10.6	5.70
1.80V/cell	59.4	36.9	27.9	22.3	19.1	16.5	13.0	10.8	6.00
1.75V/cell	66.2	40.5	29.2	22.8	19.5	17.0	13.2	11.1	6.08
1.67V/cell	68.6	41.9	29.8	23.4	19.8	17.3	13.5	11.3	6.14
1.60V/cell	70.5	42.8	30.1	23.8	20.0	17.6	13.6	11.4	6.18

Constant Power Discharge (Watts/cell) at 25°C (77°F)									
F. V/Time	1h	2h	3h	4h	5h	6h	8h	10h	20h
1.85V/cell	105.0	65.7	49.8	40.3	35.5	30.7	24.7	20.9	11.3
1.80V/cell	114.7	71.7	54.5	43.6	37.4	32.4	25.7	21.3	11.9
1.75V/cell	126.9	78.3	56.7	44.5	38.2	33.4	26.1	21.9	12.1
1.67V/cell	129.9	80.2	57.5	45.3	38.5	33.7	26.4	22.2	12.2
1.60V/cell	132.4	81.4	57.7	45.8	38.7	34.1	26.5	22.4	12.2

TC SERIES

TC12-120 (12V120Ah)



APPLICATIONS

- Caravan/RV
- Marine

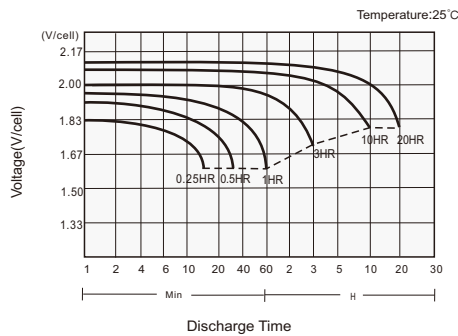
GENERAL FEATURES

- 10~12 years design life (25°C)
- Unique plate design, long cycle life ≥550 Cycles @60%DOD
- Wide operating temperature range: -20~55°C
- Low self discharge ≤3% per month
- Excellent deep discharge resilience performance to extend service life

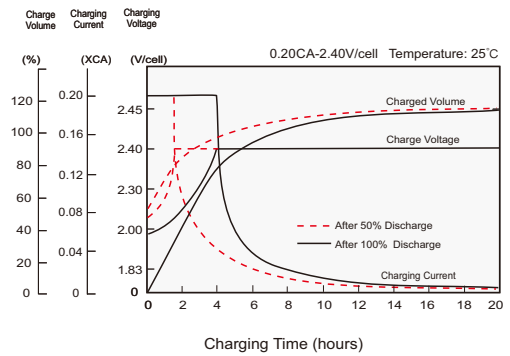
STANDARDS

- Manufactured in Leoch@IATF 16949, ISO 45001, ISO 9001 and ISO 14001 Approved production facilities

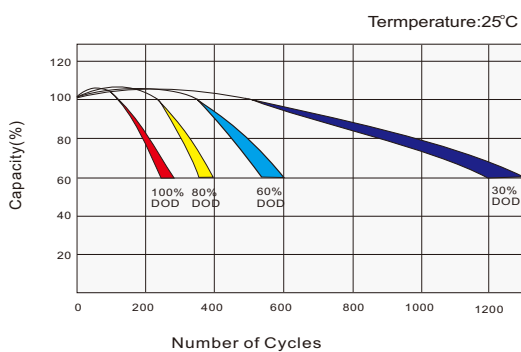
Discharge Characteristics



Charging Characteristics



Cycle Life in Relation to Depth of Discharge



Temperature Effects in Relation to Capacity

