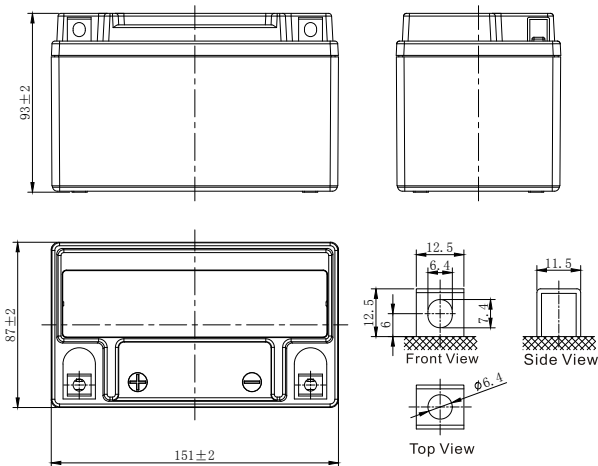


# MAINTENANCE-FREE MOTORCYCLE BATTERY

LT7A-4(N) (12V7Ah)



## GENERAL FEATURES

- Maintenance-free
- Sealed and non-spillable AGM battery
- Shipped pre-charged and ready to install

\*Values are subject to variation of +/- 5% in normal manufacturing processes.

## CHARACTERISTICS

Item	Specifications	
Nominal Voltage	12V	
Nominal Capacity (10HR)	7Ah	
Cold Cranking Performance Amps@0°F (-18°C)	100A	
Dimension (±2mm)	Length	151mm (5.94inches)
	Width	87mm (3.43inches)
	Container Height	93mm (3.66inches)
	Total Height	93mm (3.66inches)
Battery (with acid)	Approx Weight	2.66kg (5.86lbs)
Terminal type	A	
Battery type	Factory Activated Series	
Full Charge	Constant-Voltage Charge:	
	Initial charging current	Less than 0.3C <sub>10</sub>
	Voltage	14.40V~15.00V at 25°C (77°F)
	Charging time	15~18h
	Constant-Current Charge:	
	Charging current 0.1C <sub>10</sub> , when charging voltage up to 14.40V, continue to charge 4h	
Floating Charge	Initial charging current	Unlimited
	Voltage	13.50V~13.80V at 25°C (77°F)
Capacity affected by Temperature	40°C (104°F)	106%
	25°C (77°F)	100%
	0°C (32°F)	86%
	-15°C (5°F)	65%

## Discharge Characteristics (25°C, 77°F)



Leoch International Technology Ltd.  
[www.leoch.com](http://www.leoch.com)

Leoch Batteries Pte Ltd  
[www.leoch.sg](http://www.leoch.sg)

Leoch Battery Corporation  
[www.leochamericas.com](http://www.leochamericas.com)

Leoch Europe S.A.  
[www.leoch.eu](http://www.leoch.eu)